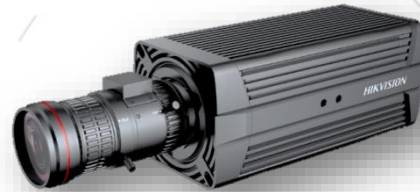


iDS-2CD9136-AIS Highly Performance Checkpoint Camera



Superiority

- Dedicated camera for ANPR
 - HD resolution
 - Integrated IR
 - Professional shutter speed control
- Built-in ANPR engine, equipped with deep learning algorithm
- Multiple detection and recognition
 - Vehicle type recognition
 - Vehicle color recognition
 - Vehicle Manufacturer
 - Radar speed measurement

Application

- Vehicle control
- Traffic monitoring
- Toll collection
- Security

Scenarios

- Highway
- Tunnel
- Toll station
- Urban road

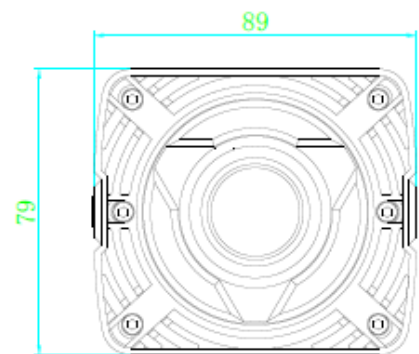
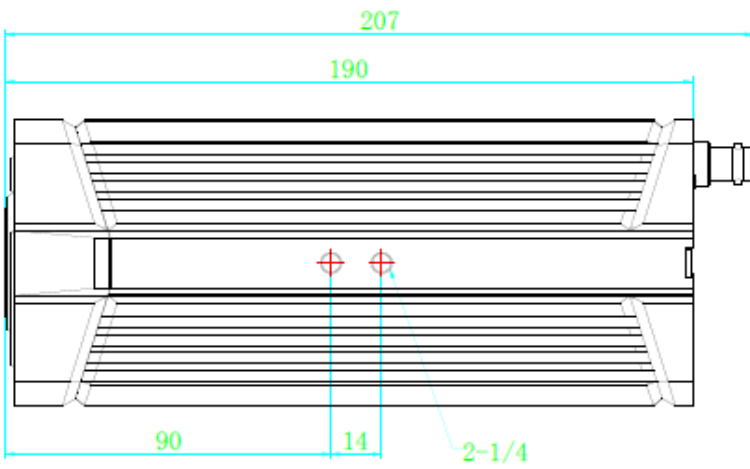
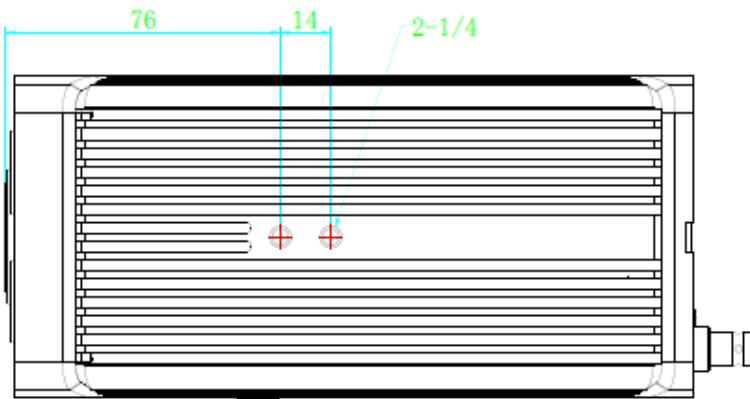


Specifications

Model	iDS-2CD9136-AIS
Software Features and Performance	
Working Distance	Up to 35 m (with 11 to 40 mm focal length)
Coverage	1 lane
Detection Sensitivity	99%
LPR Accuracy	> 97%
LPR Region	Mid-East, Africa, Asia-Pacific, India, America, Europe, Russian-Speaking Countries, UK
Supplement Light	Strobe light/Xenon flash light
OCR	On-board ANPR engine
Frame rate	50 fps
Vehicle Type	Car/Van/Bus/Truck/Others
Vehicle Color	Recognizable at daytime only
Vehicle Manufacturer	Support
Capture Speed Range	5 to 250 km/h
Video Compression	H.265/H.264/MJPEG
Streaming	RTSP
Configuration	
Web Server	Support
TCP/IP Server	SDK
Time Synchronization	NTP/GPS/Manually
Software Update	Web/SDK
Data Transmission	
FTP	FTP, Multiple FTP
Standard Protocols	TCP/IP, HTTP, HTTPS, FTP, DNS, DDNS, RTP, RTSP, RTCP, NTP, UPnP, IPv6, UDP
Serial Port	3 RS-485 ports, 1 RS-232 port
Data Output	SDK/ISAPI
Trigger Mode	
By Video	Continuous video analysis with automatic vehicle detection, even without plate.
By External Interfaces	I/O, RS-485
System	
ANPR Camera	3 MP (1/1.8" GMOS), max. 2064 × 1544
Programming Interface	ONVIF (Version 2.1), ISAPI
Lens	CS-Mount, 11 to 40 mm horizontal field: 36.7~11.5° ,vertical field:23.9~7.6° C-Mount (with adapter ring needed)
Operating System	Linux
Digital I/O	4-ch inputs, 6-ch outputs
Communication Interface	2 RJ45 10M/100M/1000M self-adaptive Ethernet interfaces
Storage	TF card, up to 128 GB
GPS	Optional
Technical Data	
Certifications	CE, FCC
Operating & Storage	-30 °C to +70 °C(-22 °F to +158 °F)

Temperature	-30 °C ~ 70 °C(-22°F to +158°F)
Operating & Storage Humidity	5% to 95%@+40 °C (+104 °F), non-condensing
Power Supply	12-24V DC
Power Consumption	< 30 W

Dimensions



Available Models

iDS-2CD9136-AIS